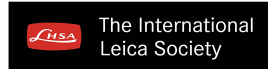




# Discount Repair and Service Document



FV-G-002  
Rev. 02/21

Please use this form and fill out electronically to obtain the International Leica Society fifteen percent (15%) discount on repairs done by Leica Camera Inc., in New Jersey, USA. This discount program is only for International Leica Society members and only covers repairs, not replacements. The discount will be provided at the time of service.

Last Name:	Phone:
First Name:	E- Mail:
Street:	VAT ID Number:
City, ZIP:	Different Delivery Address:
Country:	

Include any additional accessories that might be needed for the fault analysis (charger, SD card etc.)  
Please remove any third party equipment/accessories before packaging your product. We assume no liability for damage.

### ATTENTION! DO NOT SEND IN BATTERIES!

Product:	Yes	No
Serial Number:		
Warranty Documents:		

Detailed fault description or additional information:

Product:	Yes	No
Serial Number:		
Warranty Documents:		

Detailed fault description or additional information:

Accessories:

**IMPORTANT!** If the fault concerns image quality (f.e. dead pixels, blurriness, reflexes etc.) please include a sample in uncompressed DNG format on SD card or USB flash drive.

Automatically release the estimate if the amount does not exceed



# Repair and Service Document

FV-G-002  
Rev. 02/21

### Please insure the following:

Battery function test conducted

SD Card formatted

Latest Firmware installed

Reset to factory settings has been performed:

Yes

Not applicable

### Signs of use:

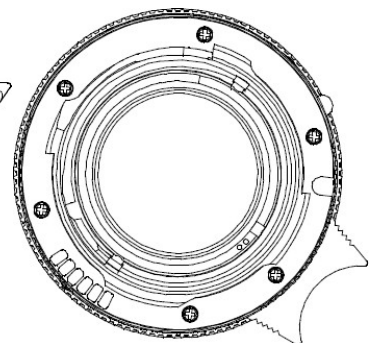
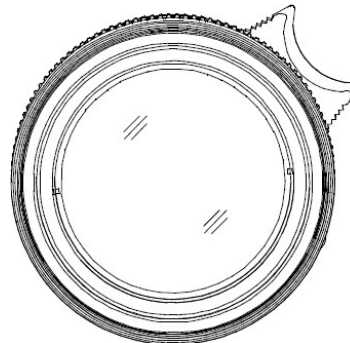
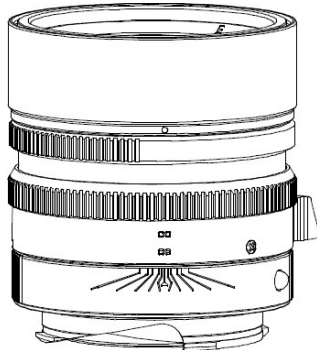
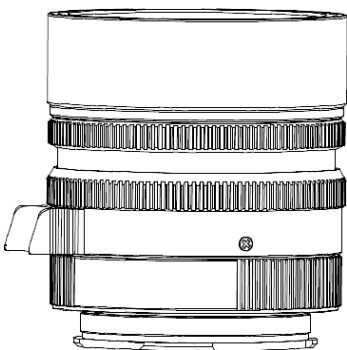
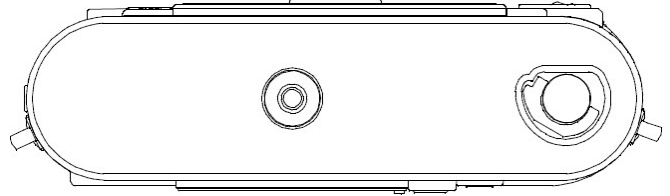
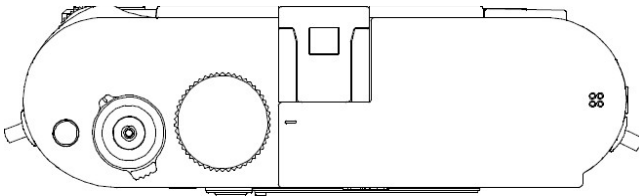
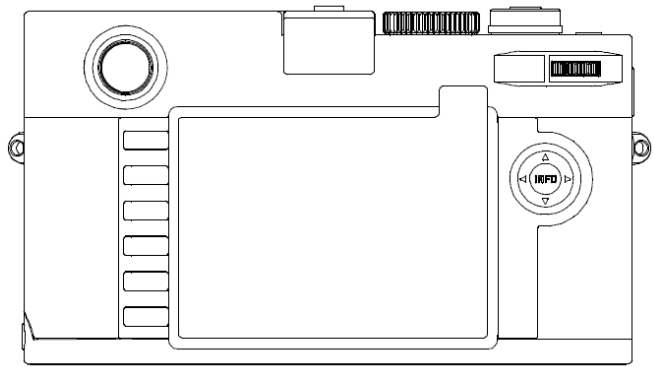
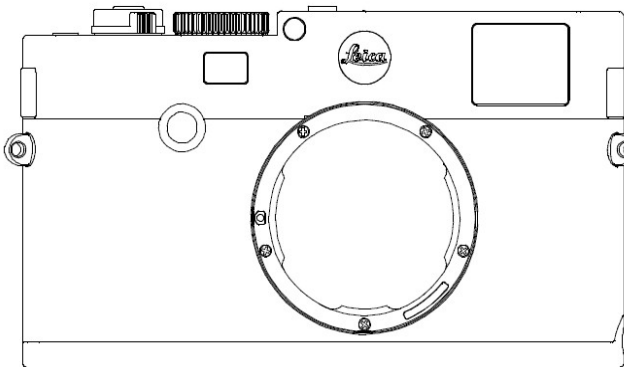
Slight

Normal

Heavy

Additional Information:

Please mark location of damage that is not considered a sign of use (dents, deeper scratches etc.) To be used for all products incl. S/SL.



I hereby confirm the condition of my product as described in this document (to be signed by customer)

Date:

Signature:

When completed, carefully package equipment with this form and send to:  
Leica Camera, Inc., 500 Frank W. Burr Blvd. Suite 570, Teaneck, NJ 07666.  
Phone Number: 1-800-222-0118

At the request of Leica USA: PLEASE ship repairs via UPS or FEDEX ONLY!